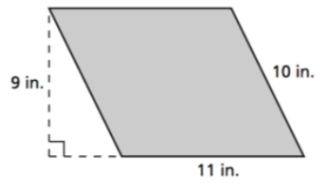
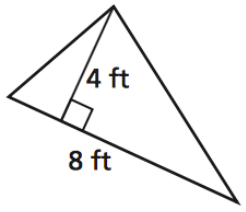
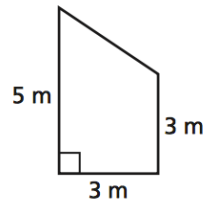
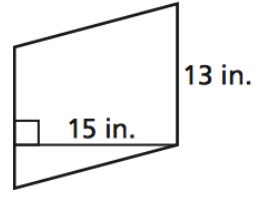
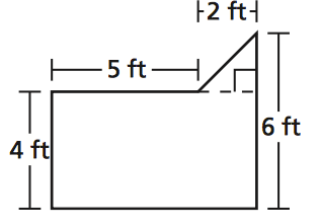
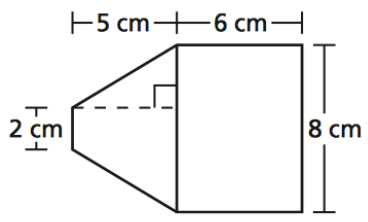


CHAPTER 4 PRACTICE TEST

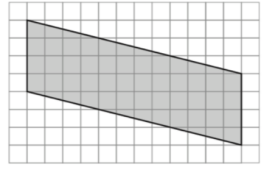
Find the area of the parallelogram, triangle, or trapezoid.

<p>1.</p> 	<p>2.</p> 
<p>3.</p> 	<p>4.</p> 

Find the area of the figure.

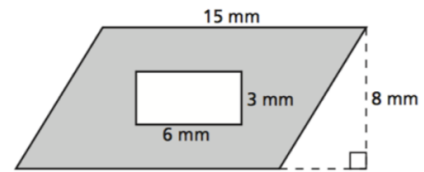
<p>5.</p> 	<p>6.</p> 
--	--

7. Find the area of the parallelogram.



8. The base of a parallelogram is 13 yards and the heights 10 yards. What is the area?

9. Find the area of the shaded region

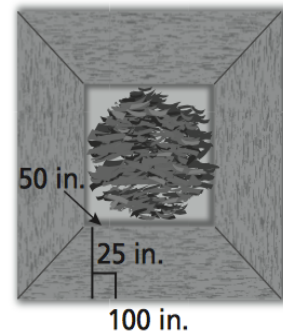


10. A trapezoidal window is 8 feet tall and has base lengths of 1 foot and 7 feet. What is the area of the window?

11. The base of a triangle is 8 centimeters and the height is 20 centimeters. What is the area of the triangle?

12. A bench around the base of a tree is in the shape of a square and is made up of four trapezoids of the same size. Put your answers in a sentence.

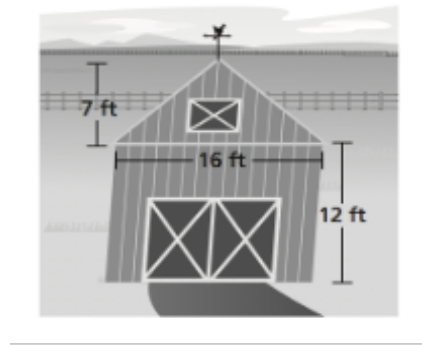
a. What is the perimeter around the outside of the bench?



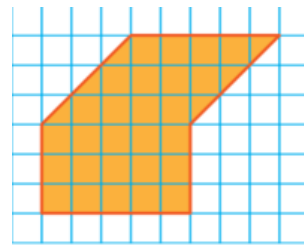
b. What is the area of one trapezoid?

c. What is the area of the entire bench?

13. The front of a partially collapsed barn is shown. Find the area of the front of the barn.



14. Find the area of the figure.



15. What is the area of the top of the desk?

